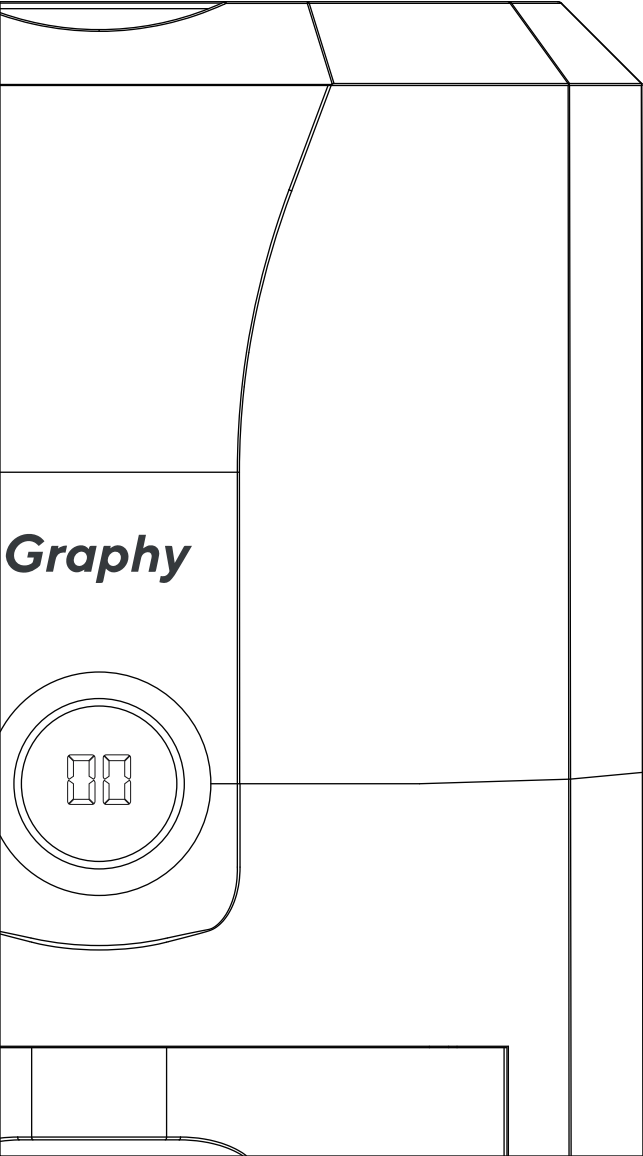
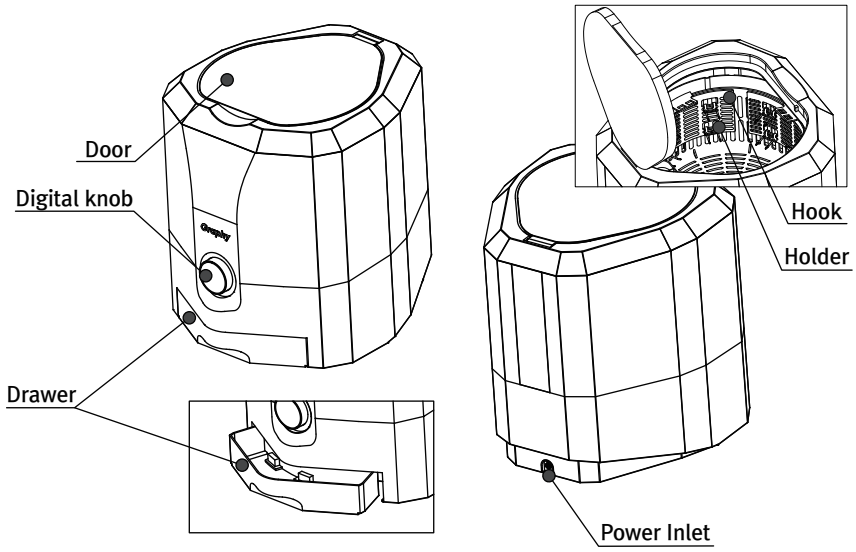


Quick Guide for

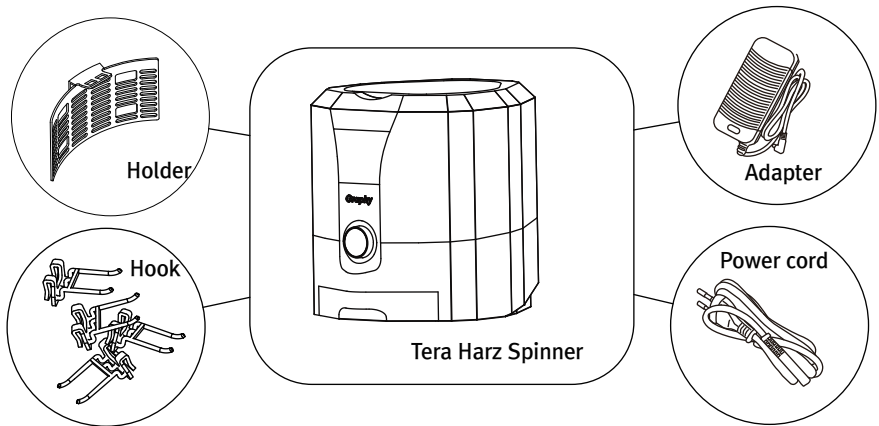
Tera Harz Spinner



Part Name

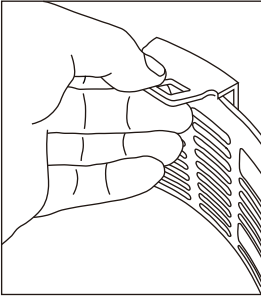


Component of Tera Harz Spinner

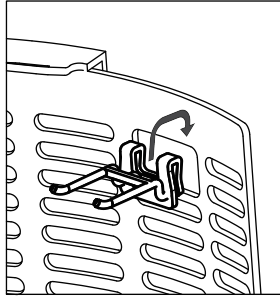


- Tera Harz Spinner 1 set
- Holder 4 ea
- Hook 16 ea
- Free voltage adapter 1 ea
- Power cord 2 ea (US type 1ea, EU type 1ea)
- Quick Guide 1 sheet

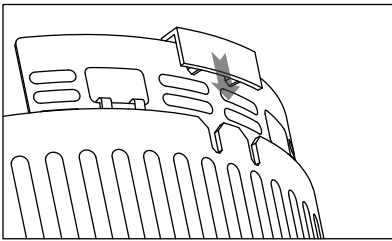
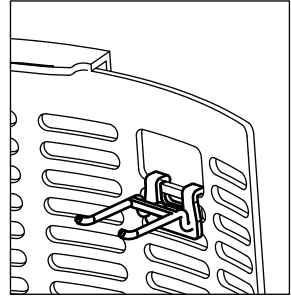
Installation



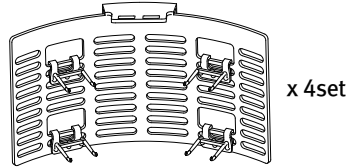
How to lift holder



Assemble the hook into the square groove of the holder as shown in the picture.



Assemble by inserting the holder with a hook assembled into the groove of the rotating part (refer to the picture).



A total of 4 holders with assembled hooks were made.

Operation

- 1 Hang the object on the hook. Since the resin is discharged outward by centrifugal force, carefully consider the direction in which you walk.



- 2 After closing the door and checking that the drawer is also closed, turn on the power.
- 3 Turn the Digital Knob clockwise to set the desired time.



- 4 After 5 seconds of setting, the operation starts with a beep sound.
- 5 When the operation is finished, open the door, lift the holder, and remove the object.

Note

- 1 If you open the door or pull out the drawer while the equipment is operating, the equipment decelerates and pauses.
- 2 Turning the digital knob clockwise increases the time, counterclockwise decreases the time, and pressing it turns the equipment on/off.

Caution

- ❶ Do not insert your hand into the machine when rotation is stopped (beep sounds) by stopping or pausing.
- ❷ Please install the equipment on a flat and sturdy surface.
- ❸ When placing the aligner on the hook, please align the center of rotation.
For example, if two are mounted, it is recommended to position them at 180 degrees.
If the center of gravity is tilted, friction with the wall may occur and the rotation speed may decrease.
- ❹ Check the drawers occasionally and empty them regularly.
- ❺ Do not allow sunlight or UV light to enter inside.
- ❻ It is recommended to wash the holder separately with IPA after a certain time.

Specification

Name	Tera Harz Spinner
Info	Centrifuge for aligner (Using a centrifuge to remove the residual resins)
Overall Size	390W x 450D x 430H
Weight	14kg
Capacity	Max. 16 aligner
Time	5 min. Automatically turn off Adjustable time
Function	Digital Knob Control Inside heating (works when running) Safety stop (10 seconds)
RPM	500 rpm (BLDC motor)
Power	50W
Rated Voltage	Free voltage 24Vdc, 4A